

# LED Omni-directional GLS

8W & 12W replacements for 40W and 60W

DATA SHEET



## Product information

GE's LED retrofit lamps offer great possibility to replace incandescent, compact fluorescent or halogen lamps with a 2700K Extra Warm White LED lamp with wide light distribution (220°) for general lighting. GE LEDs are very economical and environmentally friendly: they are mercury free, use far less energy than halogen or incandescent lights, and last longer. They fit into everyday light fittings and the light comes on the instant you flick the switch.

## Features

- 8W = 40W equivalent
- 470 Lumens
- 2700 Kelvin Colour Temperature
  
- 12W = 60W equivalent
- 810 Lumens
- 2700 Kelvin Colour Temperature

## Application areas



Home



Hospitality

## Compliance

### Standards

- IEC 60061-1: Lamp Caps and holders together with gauges for the control of interchangeability and safety
- IEC 60630: Maximum lamp outlines for incandescent lamps.
- IEC or EN 60968: Self-ballasted lamps with general lighting services – Safety requirements
- IEC 62471: Photobiological Safety of Lamps and Lamp Systems
- EN 61547: Requirement for General Lighting purposes EMC Immunity requirement.
- IEC 62560: Self-ballasted LED-lamps for general lighting services by voltage > 50 V – Safety specifications.
- EN 55015 or CISPR 15: Limits and methods of measurement of radio disturbance characteristics of electrical lighting and similar equipment
- EN 61000-3-2: Electromagnetic compatibility (EMC) - Limits for harmonic current emissions (equipment rated current up to 16 A)
- EN 61000-3-3: Electromagnetic compatibility (EMC) - Limitation of voltage fluctuations and flicker in low-voltage supply systems (equipment rated current up to 16 A)

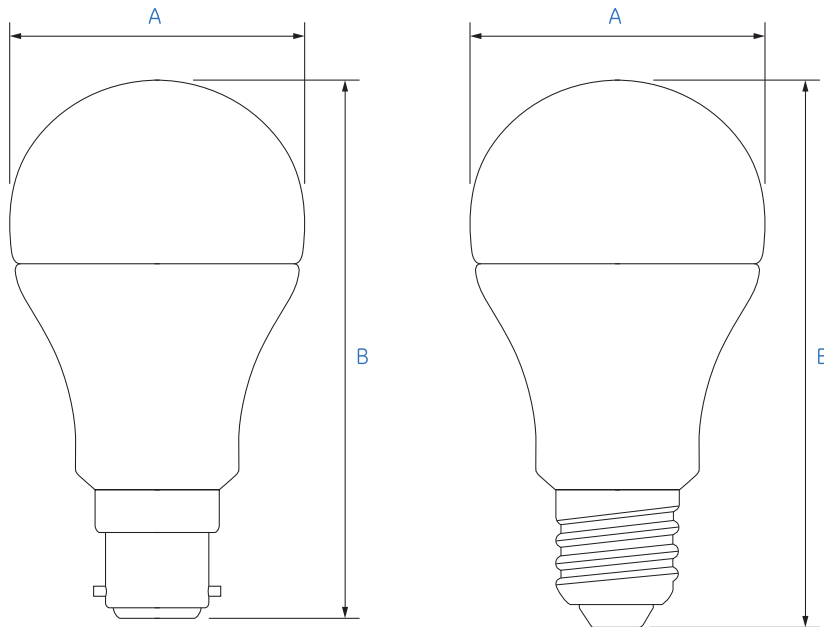


GE imagination at work

## Specification summary

Watt [W]	Volt [V]	Cap	Product Description	CCT [K]	Lumen [lm]	CRI [Ra]	Life [h]	Power Factor	Switch cycles	CCT Steps	Weight [g]	Pack Qty	Product Code	Dimmable
8	220-240	E27	LED8D/GLS OMNI/827/220-240V/E27 HBX	2700	470	80	25,000	0,90	12,500	6	85	6	98783	Yes
8	220-240	B22	LED8D/GLS OMNI/827/220-240V/B22 HBX	2700	470	80	25,000	0,90	12,500	6	85	6	98784	Yes
12	220-240	E27	LED12D/GLS OMNI/827/220-240V/E27 HBX	2700	810	80	15,000	0,90	12,500	6	180	6	98785	Yes
12	220-240	B22	LED12D/GLS OMNI/827/220-240V/B22 HBX	2700	810	80	15,000	0,90	12,500	6	180	6	98786	Yes

## Dimensions

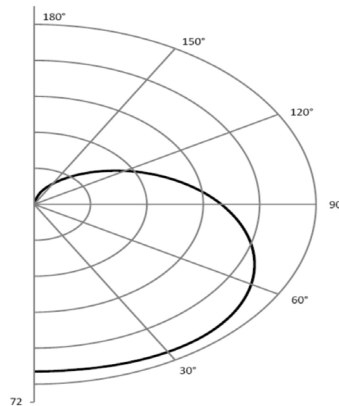


Dimensions in mm	8W	12W
A. Maximum Overall Diameter	60	60
B. Maximum Overall Length	E27 Cap: 109 B22 Cap: 108	E27 Cap: 109 B22 Cap: 108

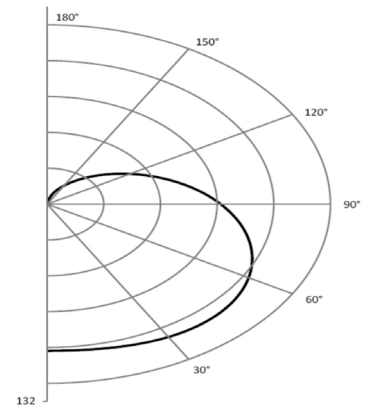
## Omni-directional light distribution

GE's omni-directional lamp enables a wide (220°) light distribution unlike traditional LED lamps thus forming this lamp to an ideal choice for general lighting application such as for table lamps.

8W LED GLS 2700K



12W LED GLS 2700K



## Operation and maintenance

- Store and use the lamps the same way as traditional lamps.
- Check your fixtures are properly wired and don't deliver voltage spike to lamps causing overheating/failure.
- Lamps should be kept free from contamination.
- Good condition of the lamp-holder contacts is important to ensure proper operation of lamp.
- Ensure lamp is cool before removing.
- Switch off mains supply before installing/removing lamp.
- Not for use in totally enclosed recessed fixtures.

# LED GLS

## Dimmable LED GLS Lamp



### Product information

GE's LED retrofit lamps offer great possibility to replace incandescent, compact fluorescent or halogen lamps with a LED light source for general lighting. GE LEDs are very economical and environmentally friendly: they are mercury free, use far less energy than halogen or incandescent lights, and last longer. They fit into everyday light fittings and the light comes on the instant you flick the switch.

### Features

- Replace 40W GLS with 9W LED
- Replace 25W GLS with 5W LED
- Dimmable
- 25,000 hours rated life
- Instant start
- Robust design
- No mercury
- Cool to touch
- 430 lumens

### Application areas

The range delivers incandescent light effects, making it ideal for general and decorative lighting in the home and hospitality applications.

### Product range

LED GLS is available in a range of:

- 5W, cap E27 and B22, frosted
- 9W, cap E27 and B22, frosted

### IEC standards

- IEC60968: Self-ballasted lamps for general lighting services safety requirements
- IEC62031: LED modules for general lighting-safety specific actions
- IEC62471: Photobiological safety of lamps and lamp systems
- EN55015: Limits and methods of measurement of radio disturbance characteristics of electrical lighting and similar equipment
- EN61547: Equipment for general lighting purposed EMC immunity requirements
- EN61000-3-2: Limits for harmonic current emissions
- EN61000-3-3: Limitation of voltage fluctuations and flicker in low voltage supply systems for equipment with rated current  $\leq 16A$
- IEC60630: Maximum lamp outlines for incandescent lamps



## Basic data

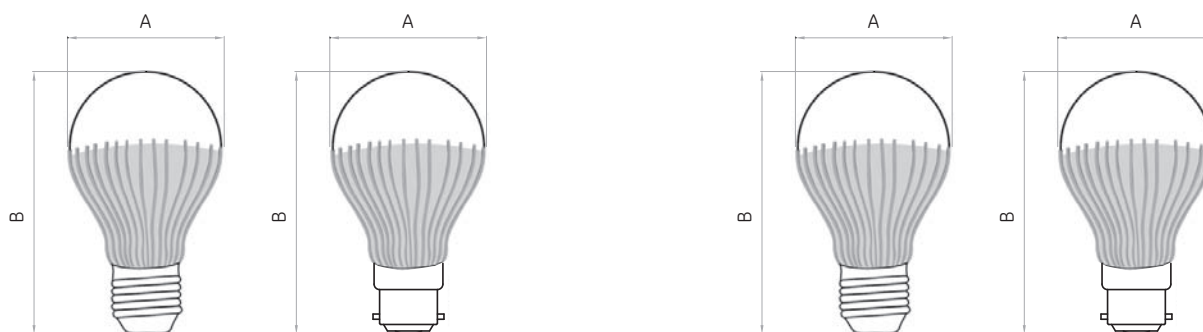
Wattage [W]	Rated* Wattage [W]	Volts [V]	Cap	Product Description	Product Code	Rated* Lumen [lm]	CCT [K]	CRI [Ra]	Rated* Life L70 [h]	Length [mm]	Diameter [mm]	Pack Qty
5	5.0	220-240	E27	LED5/GLS/827/220-240/E27	65737	185	2700	80+	25000	110	62	6
5	5.0	220-240	E27	LED5/GLS/830/220-240/E27	79428	200	3000	80+	25000	110	62	6
5	5.0	220-240	B22	LED5/GLS/827/220-240/B22	65742	185	2700	80+	25000	108.5	62	6
5	5.0	220-240	B22	LED5/GLS/830/220-240/B22	79432	200	3000	80+	25000	108.5	62	6
9	9.0	220-240	E27	LED9/GLS/827/220-240/E27	65739	405	2700	80+	25000	110	62	6
9	9.0	220-240	E27	LED9/GLS/830/220-240/E27	79426	430	3000	80+	25000	110	62	6
9	9.0	220-240	B22	LED9/GLS/827/220-240/B22	65736	405	2700	80+	25000	108.5	62	6
9	9.0	220-240	B22	LED9/GLS/830/220-240/B22	79430	430	3000	80+	25000	108.5	62	6

\*Rated wattage, life and lumen are equivalent to nominal values, which are indicated on product packaging

## Lumen maintenance

>70% lumen maintenance at 25,000 hours

## Dimensions



LED GLS			
Wattage [W]	Cap	B length [mm]	A diameter [mm]
5	E27	110	62
5	B22	108.5	62

LED GLS			
Wattage [W]	Cap	B length [mm]	A diameter [mm]
9	E27	110	62
9	B22	108.5	62

## Operation and maintenance

- Smooth, incandescent - like dimming.
- Store and use the lamps the same way as traditional incandescent lamps.
- Observe wattage limitations of your fixture.
- Check your fixtures are properly wired and don't deliver voltage spike to lamps causing overheating/failure.
- Lamps should be kept free from contamination.
- Good condition of the lampholder contacts is important to ensure proper operation of lamp.
- Ensure lamp is cool before removing.
- Do not use the lamp if the glass bulb is broken, even if the lamp still operates. There is a risk of electric shock.
- Switch off mains supply before installing/removing lamp.
- Please see detailed dimming compatibility information on the website.

All GE LED Lamps are covered by a 3 to 5 year limited warranty under the terms set out the website: [gelighting.com/eu/led](http://gelighting.com/eu/led).